

PCT*A

Current Transformer

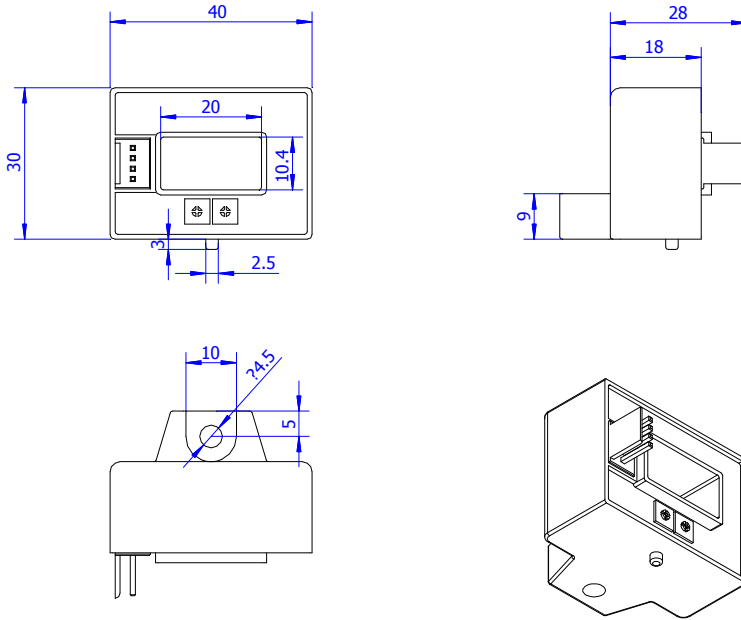
Detailed Product Description :

PCT*A series measures current ranging from 50A to 600A and features Hall effect measuring principle, widely used in welding application.

Technical Data:

	Model	PCT50A	PCT100A	PCT200A	PCT300A	PCT400A	PCT500A	PCT600A
In	Rated Current	50A	100A	200A	300A	400A	500A	600A
Ip	Measuring Range	0-±75A	0-±150A	0-±300A	0-±450A	0-±600A	0-±750A	0-±900A
Rs	Measuring Resistance	>10K Ω						
Vp	Output Voltage	Rating output voltage ±4V, opposite rating current IN						
KN	Turn Ratio							
X	Precision(Ta=+25°C)	1.0%						
Vc	Supply Voltage	±12-15V (±5%)						
Voff	Offset Voltage (Ta=+25°C)	When In=0,Max: ±30mV						
Td	(Ta=-10°C-+70°C)	Max: ±1mV						
L	Linearity	≤1%						
Tr	Reaction Time	≤10uS						
f	Frequency Coverage	0-20KHz						
Ta	Operating Temperature	-10°C-+70°C						
Ts	Storage Temperature	-15°C-+90°C						
Ic	Power Consumption	25mA						
W	Weight	40g						

Size: (mm)



Drawing:

